



Ergonomic telephones

Analog special variants „S 500/S 510/S 510 radio“ with contact input

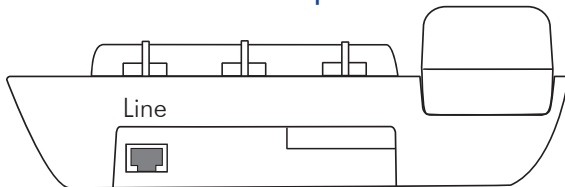
Description

The contact input is a voltage input separated via an optocoupler. If an emergency call is triggered via a connected cord pull switch, the contact closes a current loop to the optocoupler. The outside contact must be neutral. Any number of switches can be connected in parallel. If an emergency call is triggered the emergency numbers assigned to the contact input are dialed.

Voltage range: 10 .. 60 V.

Power consumption: about 3 mA constant.

Connection socket at the phone:

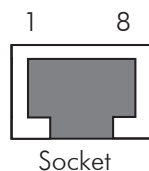


„Line“ socket for connecting a/b and contact input.

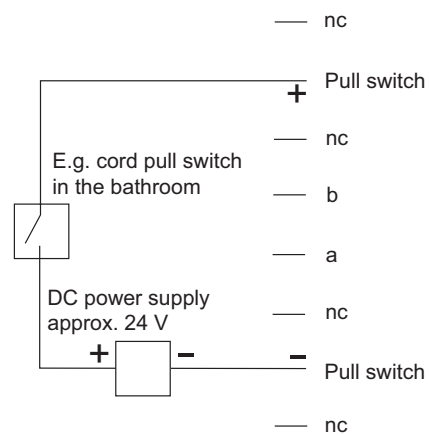
Wire assignment:

Assignment of the 8-pin RJ45 socket at the phone and of the telephone connecting cable with two 8-pin RJ45 western plugs:

- | | |
|---|--------------------|
| 1 | not connected |
| 2 | + Cord pull switch |
| 3 | not connected |
| 4 | Phone cable b-pin |
| 5 | Phone cable a-pin |
| 6 | not connected |
| 7 | - Cord pull switch |
| 8 | not connected |

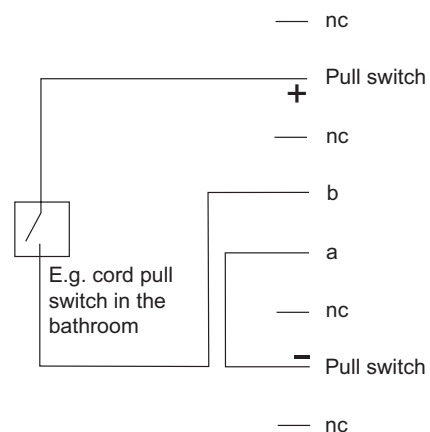


Connection with additional power supply:



Connection length up to max. 50 meters within the apartment.

Connection without additional power supply:



The connection meets the connection class TNV3. The safety regulations for the telephone connection line are valid. Unused wires may not be wired otherwise!

The telephone connection a/b has to supply sufficient power. Pay attention to the polarity of a/b. Pin „a“ must be „minus“. Connection length approximately 10 - 20 meters within the apartment.

In danger of humming stray effects prefer the connection with power supply, because no galvanic coupling with the telephone network takes place.

Analog special variants „S 500/S 510/S 510 radio“ with contact input

Monitored input as an alternative

Alternatively to the described contact input, we offer a monitored contact input. The phone monitors the functionality of the cord pull switch and reacts in case of a defect or deduction with a fault message. If you connect a cord pull switch with LED, the reassurance light can be switched under certain conditions.

The monitored contact input is not defined by default as a special variant. It requires a customer specific definition. Further information on request.

Subject to modifications.

Product color similarly to the illustration.

Doc.-version 02.