



Ergonomic telephones

Analog special variants „S 500/S 510/S 510 radio“ with contact input, pear switch connection and emergency call priority

Description „Contact input “

The contact input is a voltage input separated via an optocoupler. If an emergency call is triggered via a connected cord pull switch, the contact closes a current loop to the optocoupler. The outside contact must be neutral. Any number of switches can be connected in parallel. If an emergency call is triggered the emergency numbers assigned to the contact input are dialed. Voltage range: 10 .. 60 V.. Power consumption: about 3 mA constant.

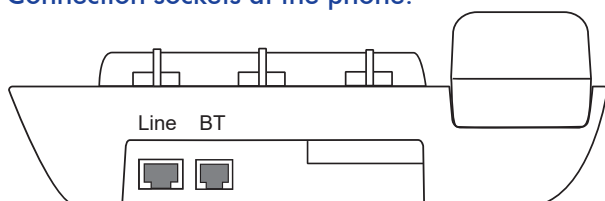
Description „Pear switch connection“

When connecting a commercially available wired pear switch to the phone an emergency call can be triggered via the pear switch. If an emergency call is triggered the emergency numbers assigned to the pear switch are dialed.

Description „Emergency call priority“

If two telephones in a household are connected to one c/o line it can occur that an emergency call is not sent because the other telephone has engaged the line. These special variants are equipped by an inserted relay. This guarantees that the emergency call telephone has priority over the other telephone. If the second telephone is busy and an emergency call is set by the first telephone, then the connection of the second phone is interrupted automatically and the emergency call can be sent.

Connection sockets at the phone:



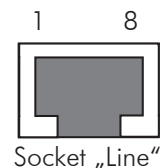
„Line“ socket: Connection of a/b, cord pull switches (contact input) and emergency call priority.

„BT“ socket: Connection of a pear switch.

Wire assignment of the „Line“ socket:

Assignment of the 8-pin RJ45 socket at the phone and of the telephone connecting cable with two 8-pin RJ45 western plugs:

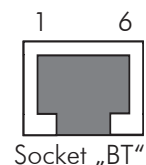
- | | |
|---|--------------------|
| 1 | not connected |
| 2 | + Cord pull switch |
| 3 | b2 (priority) |
| 4 | b1-pin |
| 5 | a1-pin |
| 6 | a2 (priority) |
| 7 | - Cord pull switch |
| 8 | not connected |



Wire assignment of the „BT“ socket:

Assignment of the 6-pin RJ11 socket at the phone and of the telephone connecting cable with two 6-pin RJ11 western plugs:

- | | |
|---|---------------|
| 1 | not connected |
| 2 | not connected |
| 3 | Contact |
| 4 | Contact |
| 5 | not connected |
| 6 | not connected |



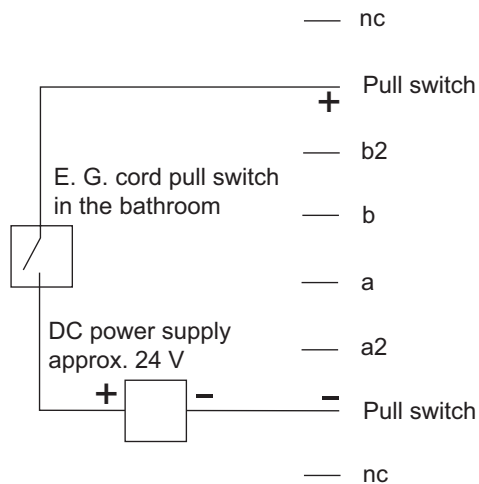
The connections „Line“ and „BT“ meet the connection class TNV3. The safety regulations for the telephone connection line are valid. Unused wires may not be wired otherwise!

For correct operation of the priority function of the phone „Ergophone S 500“, the following conditions apply:

The connected downstream phone must always produce at least 7.0 V voltage drop in the off-hook state. During operation, the resting voltage of minimum 7.0 V should fall below for max. 200 ms with a repetition rate of at least 1 sec.. The DC resistance in the on-hook state of the connected downstream phone must be at least 1 megohm.

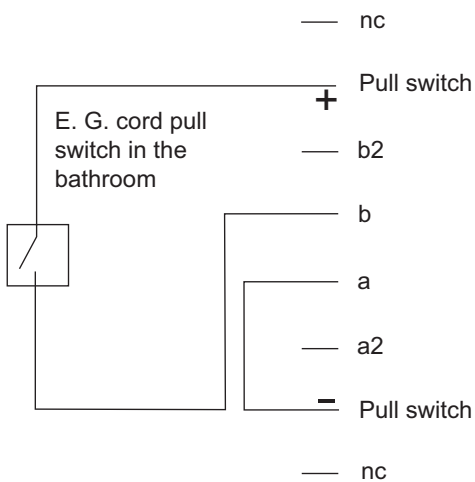
Analog special variants „S 500/S 510/S 510 radio“ with contact input, pear switch connection and emergency call priority

Connection „contact input“ with additional power supply:



Connection length up to max. 50 meters within the apartment.

Connection „contact input“ without additional power supply:



The telephone connection a/b has to supply sufficient power. Pay attention to the polarity of a/b. Pin „a“ must be „minus“. Connection length approximately 10 - 20 meters within the apartment.

In danger of humming stray effects prefer the connection with power supply, because no galvanic coupling with the telephone network takes place.

Monitored switches as an alternative

Alternatively to the described contact input and pear switch connection, we offer monitored switch connections. These are not defined by default as a special variant. They require customer specific definitions.

Monitored contact input

The phone monitors the functionality of the cord pull switch and reacts in case of a defect or deduction with a fault message. If you connect a cord pull switch with LED, the reassurance light can be switched under certain conditions.

Monitored pear switch connection

The phone monitors the functionality of the pear switch and reacts in case of a defect or deduction with a fault message. If you use a pear switch with LED, the light can be controlled under certain conditions. While the LED as a located light constantly lights weakly, it will light brightly as a reassurance light in the event of an emergency call.

Further information on request.

Subject to modifications.

Product color similarly to the illustration.

Doc.-version 03.